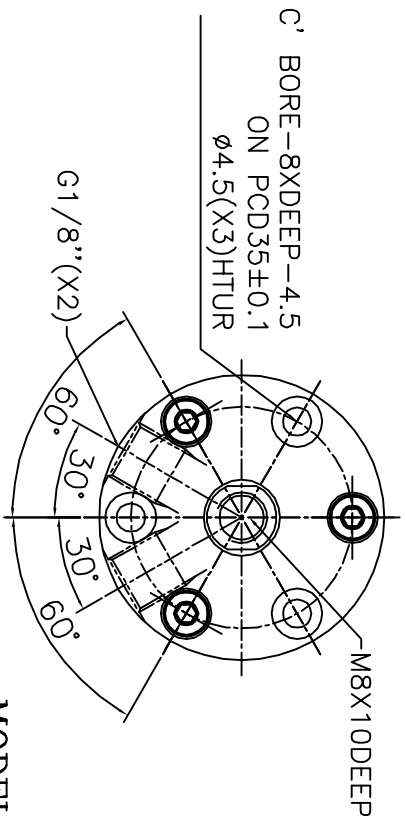
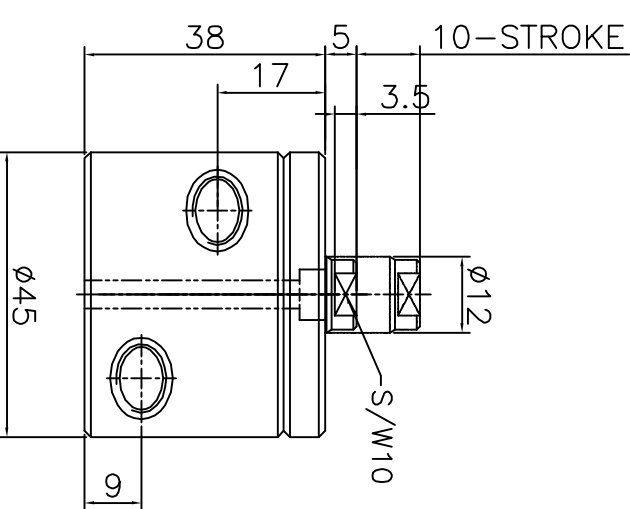


MODEL NO-A61302

Specification:-
 Type : Double acting hydraulic cylinder.
 Bore dia = 20 mm, rod dia = 12 mm
 Stroke = 25 mm
 Operating pressure : max 150 bar/min 10 bar
 Hydraulic oil
 Medium
 (servo system HLP46/HLP68)

- 1.0 GENERAL
 1.1 ALL DIMENSIONS ARE IN MM.
 1.2 DO NOT SCALE THE DRG.IF IN DOUBT ASK.
 1.3 SUBJECT TO CHANGE FOR IMPROVEMENT.

INDS	MDI21V39	DT	BTAD3VDR9QA
VER	MD97		



MODEL NO-A61301

Specification:-
 Type : Double acting hydraulic cylinder.
 Bore dia = 20 mm, rod dia = 12 mm
 Stroke = 10 mm
 Operating pressure : max 150 bar/min 10 bar
 Hydraulic oil
 Medium
 (servo system HLP46/HLP68)

SURFACE FINISH	▽▽▽▽	▽▽▽▽	▽▽▽▽	▽	∩								
Ra value μm	0.025	0.05	0.1	0.2	0.4		0.8	1.6	3.2	6.3	12.5	25	50
GENERAL TOLERANCES WHERE NOT SPECIFIED													
LINEAR - LENGTH OR DIAMETER						ANGULAR-LENGTH IN MM OF SHORT SIDE OF ∠							
0.5-6	6-30	30-120	120-315	315-1000	1000-2000	UP TO 6	6-30	30-120	120-400				
±0.1	±0.2	±0.3	±0.5	±0.8	±1.2	±1'	±30'	±20'	±10'				

SCALE:	1:1	TITLE	COMPACT CYLINDER		MATERIAL:	XXX	SHEET NO:	1 OF: 1
DESIGN	TIRUMAL	DATE	22.08.08	MACHINE TYPE	Double acting, single rod end			
DRAWN	TIRUMAL	DATE	22.08.08	CUSTOMER:				
CHECKED								
APPROVED								
GROUP NO:		SUPERCEDED BY		REPLACES				
DRAWING NO:								